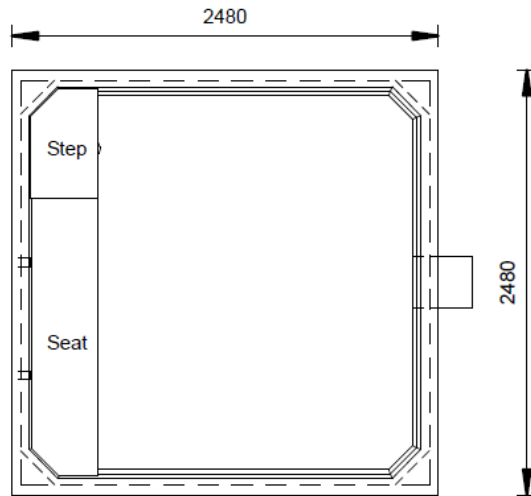


## 7,000ltr Square Plunge Pools

Engineer designed and certified for in-ground and above ground use.



CAPACITY	WIDTH	LENGTH	HEIGHT (top of coping)	SEAT HEIGHT	STEP HEIGHT	WEIGHT
7,000ltr	2.48m	2.48m	1.63m	660mm	310mm	7.2T

**DO NOT USE SAND, CRUSHER DUST OR ROAD BASE BELOW POOL – WILL VOID WARRANTY**

**Levelling your excavation and 10mm gravel screenings are the most two important things you can do to ensure the life of your unit. Failure to do so will void warranty.**

**Excavation & Site Prep Instructions:**

1. Prepare clear access for your delivery by either:
  - a. rear mounted crane truck (3.5m wide x 11m long x 18T – empty truck load); or
  - b. semi-trailer (3.5m wide x 19m long x 18T – empty truck load). Booking of crane to be arranged by client.
2. Remove piles of timber, excess soil or other materials across 7m zone at rear of truck.
3. Excavate 3.2m x 3.2m level hole to required depth into natural ground. Ensure you use laser level during dig so there is no over dig.
4. Minimum depth into natural ground required – 400mm
5. Ensure no high spots or protruding rock in the base of the excavation.
6. Place 75mm layer of 10mm gravel screenings into excavation (no more no less).
7. If you need to build up an existing hole or if pool will be installed on new fill you will need to contact our head office to discuss installing a concrete slab.
8. Screed perfectly level with straight edge and spirit level. (It is a good idea to set up 2 x screed rails).
9. If you pool is lifted into position with an external crane – lifting gear required:

Spreader Bar	Leg Chains	Swift Lift Clutches
2.6m	2 x (seat shortened by 125mm)	4 x 2.5T

10. We recommend using a set of rubber protectors for the chains near the coping.
11. (If required) hammer in anti-flotation bars (see buoyancy control joint section below).
12. Pool is craned into excavated area.
13. Check pool is level in both directions.
14. Back fill immediately (to natural ground level). Do not compact 10mm gravel screenings around pipework.
15. Backfill uniformly. Do not backfill one side then the other.

16. Pools must not retain more than a 500mm differential of backfill across the tank.
17. **Skimmer Box Overflow port must be drilled and plumbed away from the pool base to prevent saturation near the base of the pool – this can prevent movement and cracking to your pool shell and will void warranty if not completed.**
18. **EARTHING - Pools have a stainless steel earthing bolt installed which is clearly marked at the base of the pool – a licensed electrician is required to earth the pool, prior to backfilling.**
19. Pool light to be connected to 240/12V transformer provided.
20. Pool shell must be installed to Council requirements.
21. **No drilling, cutting or bolting of any ladders, decks, fence posts or any other element is permitted to the shell without written permission from the manufacturer.**
22. ABSOLUTELY NO JUMPING OR DIVING INTO THE PLUNGE POOL IS PERMITTED AT ANY TIME – adult supervision of children at all times.
23. Temporary fencing should be erected immediately after installation. Check your local Council requirements.

**DELIVERY:**

1. Delivery is by either:
  - a. rear mounted crane truck which delivers over the rear – NEVER OVER THE SIDE; or
  - b. semi-trailer – booking of crane to be arranged by installer/client.
2. Check for low weight limit bridges or other hazards on your street or delivery area.
3. Check the dimensions of your access for height and width, starting at the street.
4. How wide is your front gate?
5. Underground plumbing, or septic trenches in the access?
6. Large overhanging trees or power lines in the access or crantage area?
7. Beware electrical hazards for unloading purposes:
  - a. 7 meters minimum clearance under insulated wires
  - b. 10 meters minimum clearance under non-insulated wires

**Otherwise power must be off.**

**Do**

Do provide a level area for crane to unload

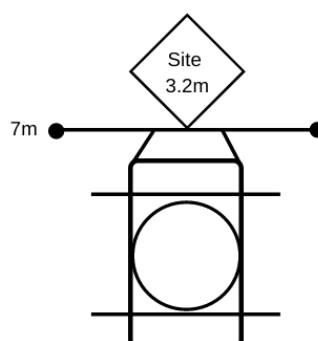


**Don't**

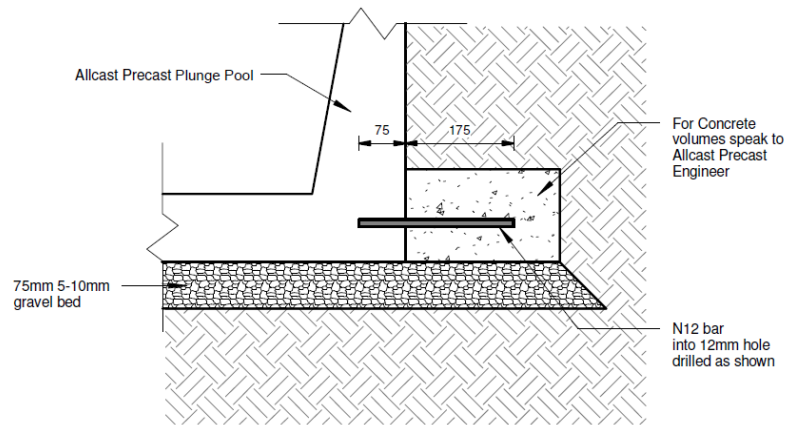
DO NOT have truck on unlevel ground to unload. Tank cannot be unloaded if truck front is up hill.



**2.5m diam & Square Pool**



**BOUYANCY  
CONTROL  
JOINT (if  
required):**



Anti-floatation control is only required for in-ground pools.  
Speak to Allcast Precast for details.

Allcast Precast, on request, will drill holes at the external base of the pool and supply N12 bars as required. The installer is required to hammer bars into pre-drilled holes prior to the pool being craned into position. Concrete is then required to be poured around the base of the pool prior to backfilling– see concrete volumes below:

1.5m<sup>3</sup> concrete to be poured around base prior to backfill

Contact an Allcast Precast representative for more information.

**If you have any further questions, please call Allcast Precast on 07 5442 2522.**

40 Hill Street, Woombye QLD 4559  
e: [admin@allcastprecast.com.au](mailto:admin@allcastprecast.com.au) | w: [www.allcastprecast.com.au](http://www.allcastprecast.com.au)

